

The sky is the limit.
Let's accelerate your take-off.



Seeing beyond

ZEISS Switzerland supports your Biotech Startup



Sketch of Carl Zeiss' original workshop in Jena

It has been a while since Carl Zeiss started his small microscope workshop in the city of Jena, Germany, back in 1846.

His entrepreneurial and innovative spirit, as well as his tenacity to push through setbacks and failures were instrumental to pursuing his vision.

The businessman Carl Zeiss understood early on that sustainable success requires a strong team and a synergy-providing network of partnerships. It was through these partnerships that he was able to lay the foundation for ZEISS as a global, foundation-owned leader in optoelectronic innovation.



Image taken during lunar orbit using a ZEISS lens. Source: NASA

Remembering our own history, supporting the biotech startup scene is very close to our heart and we would like to jump-start your journey to success beyond merely being a vendor of supreme imaging solutions.

We understand the pressures that govern the early stages of entrepreneurship and we want to enable you to meet and exceed your ambitious goals as well as your investors' expectations

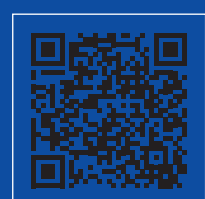


Let's start the Conversation

Let's talk about how Biotech Kick-Start can make a difference for your startup. Our local representative will get in touch with you to explain the program in detail.

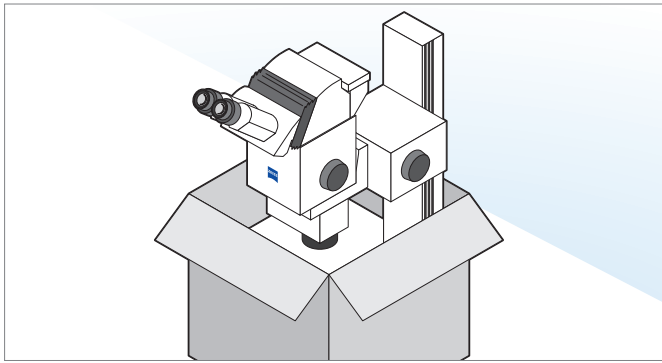
Contact us under:

<https://zeiss.ly/fr-biotech-kick-start-program-22>



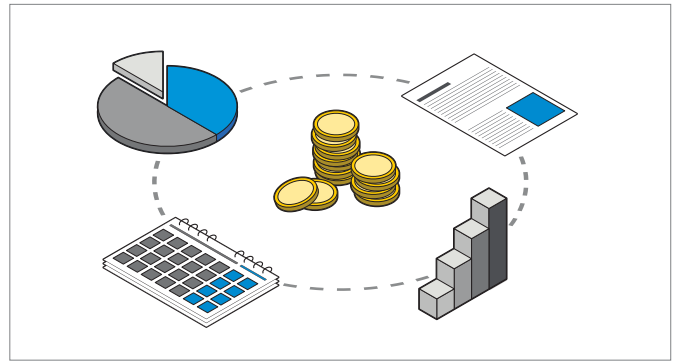
ZEISS Program for Biotech Startups

To accelerate your success trajectory, the ZEISS Biotech Kick-Start Program gives you access to the following perks from seed through Series A stage:



Get Started

Pick a loaner microscope from our selection of routine startup packages (cell-culture, sample prep) for quick delivery and decide within 2 months to purchase or return the microscope.



Manage your Investment

Choose from various attractive leasing packages to stay in control of your cashflow while still getting access to crucial technology to get you ahead.



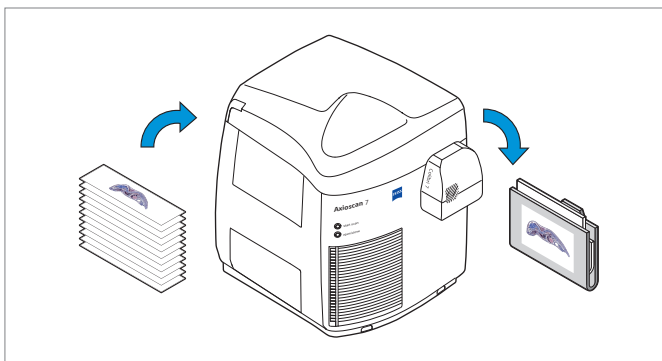
Get a Head Start

Limited access to our ZEISS Microscopy Customer Center instrumentation to kick-start your experimental setup. So you can hit the ground running when your built-to-order microscope arrives.



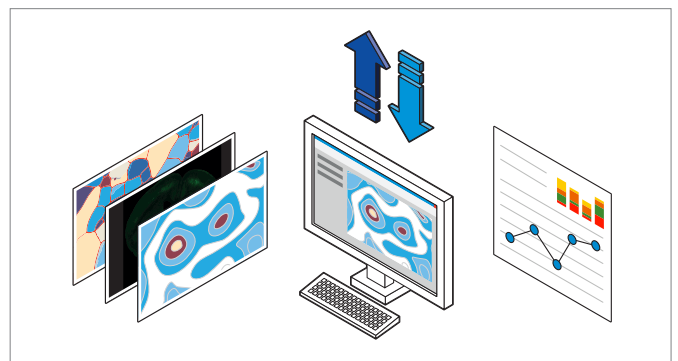
Get Proficient

Limited access to our application support team for consultation and training on image processing and analysis. So you can extract the insights you really need.



Get Productive

Eligibility to purchase select high-end imaging systems from a limited pool of systems with quick delivery. So you can boost your productivity when you need it most.



Reach for the Stars

Obtain a consultation from our custom software solutions team to automate your image processing, analysis, data handling and reporting tasks. So you can take your research to the next level.



Find out more!

microscopy.info.ch@zeiss.com
zeiss.ly/fr-biotech-kick-start-program-22



Seeing beyond